

Panasonic North America

What You Will Need:

- TA-7650 or TA-7650/TA-7500L
 - MediaHub HD Connectivity Panel
 - Power Supply Cable (*Note: MediaHub with Power/Data Extender model includes TWO power supplies – one for media panel and one for power panel*)
 - Ethernet Cable (for MediaHub with Power/Data Extender model only)
- MediaHub Cable Kit
 - HDMI Cable (3m)
 - RS-232 Cable
 - DB9-3.5mm Adapter
- Panasonic Hospitality Display & Remote Control
- IMP/DTB Tuner, if applicable

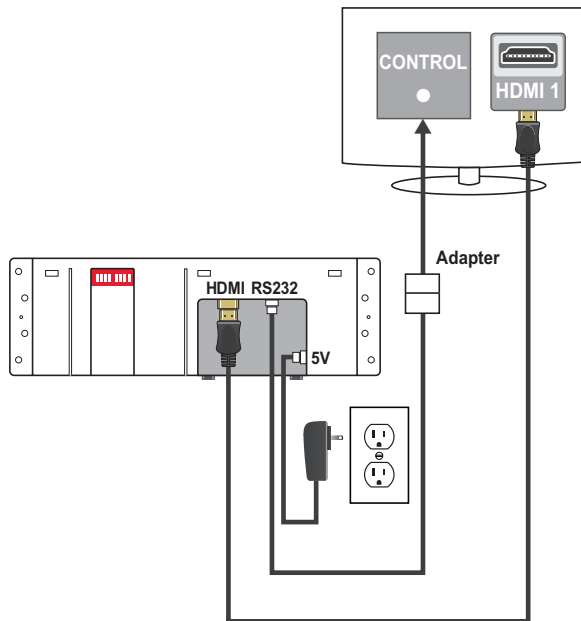


Figure 1: Panasonic direct-to-TV cable connection diagram.

Panasonic North America Direct-to-TV Installation (Series 20, 30 and 12)

Follow cable connection instructions illustrated in Figure 1. Then configure the TV and MediaHub HD according to the model-specific requirements below.

Panasonic North America Series 30 and 20 Hospitality Models

For hospitality models with serial control (factory-level firmware)

MediaHub HD DIP Mode BB: UP-DWN-UP-UP – UP-DWN-UP-UP

MediaHub HD Firmware Version: 1.32+

MediaHub HD Video Driver Firmware: 3.26+

Configure TV: Go into HOTEL MODE (using Panasonic remote, press <MENU>, <G>, <Y>, <0>), set MODE=ON, BUTTON LOCK = OFF, TA CONTROL = OFF.

For Series 30, also set CP MODE = YES

* For Panasonic North America Series 20 displays + Legacy OnCommand (OCV) STB system, TV requires firmware version 1.09. Follow instructions above but set TA CONTROL = EXTERNAL.

Panasonic Series 30/20 using Internal Terminal Adapter

Note: Panasonic Series 20 displays require firmware version 1.080.

Configure TV: Go into HOTEL MODE (using Panasonic remote, press <MENU>, <G>, <Y>, <0>), select the following: MODE = ON, TA Control = INTERNAL, BUTTON LOCK = OFF. For Series 30, also set CP MODE = YES.

Panasonic North America Series 20 ProDisplay Models

For Series 20 Professional Display models with an IMP2000 tuner card and serial control (factory-level firmware on TV, IMP2000 card requires Enseo firmware patch v.24)

Connect MediaHub HDMI to TV's native HDMI port, connect RS232/DB9 adapter to IMP's 3.5mm serial control port.

MediaHub HD DIP Mode BB: UP-DWN-UP-UP – UP-DWN-UP-UP

MediaHub HD Firmware Version: 1.32+

MediaHub HD Video Driver Firmware: 3.26+

Configure TV: Go into HOTEL MODE (using Panasonic remote, press <MENU>, <G>, <Y>, <0>), set MODE=ON, BUTTON LOCK = OFF, TA CONTROL = OFF.

Configure Tuner Card: Press <Channel UP>, <Right Arrow>, <Left Arrow>, <MUTE> to enter set-up screen. Select PPV = NONE (Tuner Card will reset), set BAUD rate to 9600 and set Standby Save = OFF.

Panasonic North America Series 12 Models

For TH-nnLRT12U models with serial control (factory-level firmware)

MediaHub HD DIP Mode B5: UP-DWN-UP-UP – DWN-UP-DWN-UP

MediaHub HD Firmware Version: 1.32+

MediaHub HD Video Driver Firmware: 3.26+

Configure TV: Go into HOTEL MODE (using Panasonic remote, press <MENU>, <G>, <Y>, <0>), set MODE=ON, BUTTON LOCK = OFF.

Panasonic North America Series 30/20/12 Models with Enseo HD3000/2000

Follow instructions for Panasonic Direct-to-TV installation according to the model number of your Panasonic display. OR, you may install MediaHub HD's serial control connection to the Enseo STB. See instructions for Enseo STB Installation.

Panasonic North America Series 30/20/12 Models with External PPV STB

Follow Panasonic Direct-to-TV installation instructions according to the model number of your Panasonic display. Connect the PPV STB AV Out to TV's HDMI1 port. Connect MediaHub HD's HDMI to TV's HDMI2.

** For Panasonic North America Series 20 displays + Legacy OnCommand (OCV) STB system, TV requires firmware version 1.09. Follow instructions above but set TA CONTROL = EXTERNAL.*

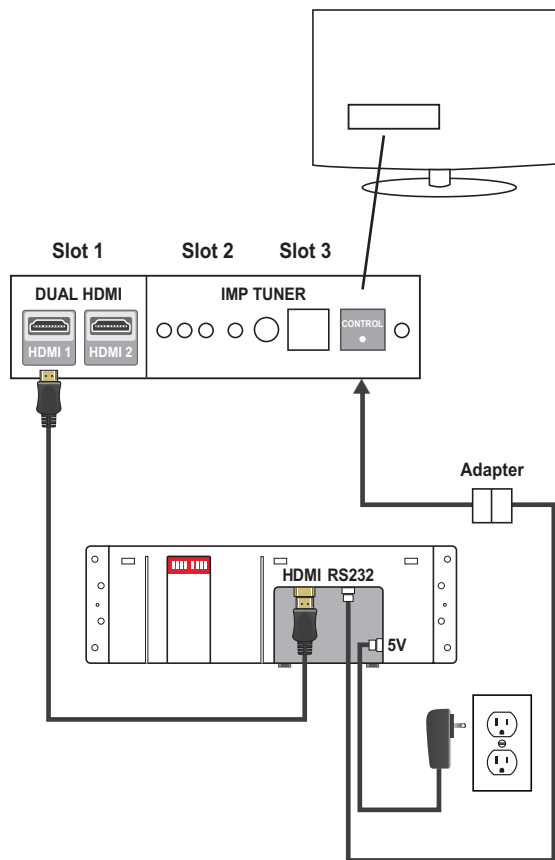


Figure 1: Panasonic with IMP- tuner card cable connection diagram.

Panasonic Series 10/11 with IMP- Tuner Card

This installation requires an IMP- Tuner Card in Slot 2/3 and the Panasonic TY-FB10HMD Dual HDMI Terminal Card in Slot 1. (Figure 1)

MediaHub HD DIP Mode 52: DWN-UP-DWN-UP -- DWN-DWN-UP-DWN

MediaHub HD Firmware Version: 1.23+

MediaHub HD Video Driver Firmware: 3.26+

Configure TV: Go into HOTEL MODE (using Panasonic remote, press <MENU>, <G>, <Y>, <0>), select the following: MODE = ON, BUTTON LOCK = OFF.

Configure IMP- Tuner Card: Press <Channel Up>, <Right Arrow>, <Left Arrow>, <MUTE> to enter set-up screen. Go to Control Options and AUX panel. Set BAUD Rate to 9600. Go to Service Options, verify the HDMI Terminal Card is assigned to Slot 1.