

Enseo Set Top Box (with ANY TV)

For Enseo HD3000 STB firmware v.2.12.04+ / HD2000 STB firmware v.2.10.29.17+

Follow the cable connection diagram below.

ASM DIP Mode: UP-DWN-UP-DWN

Configure Enseo STB: Press <Channel Up>, <Right Arrow>, <Left Arrow>, <MUTE> to enter set-up screen. Go to Control Options and AUX panel. Set BAUD Rate to 115200.

Configure TV Menu Settings according to the TV make/model listed.

Special Notes:

The ASM Installation Kit contains an RS232 3.5mm control cable. Use this cable for the Control connection to the Enseo STB.

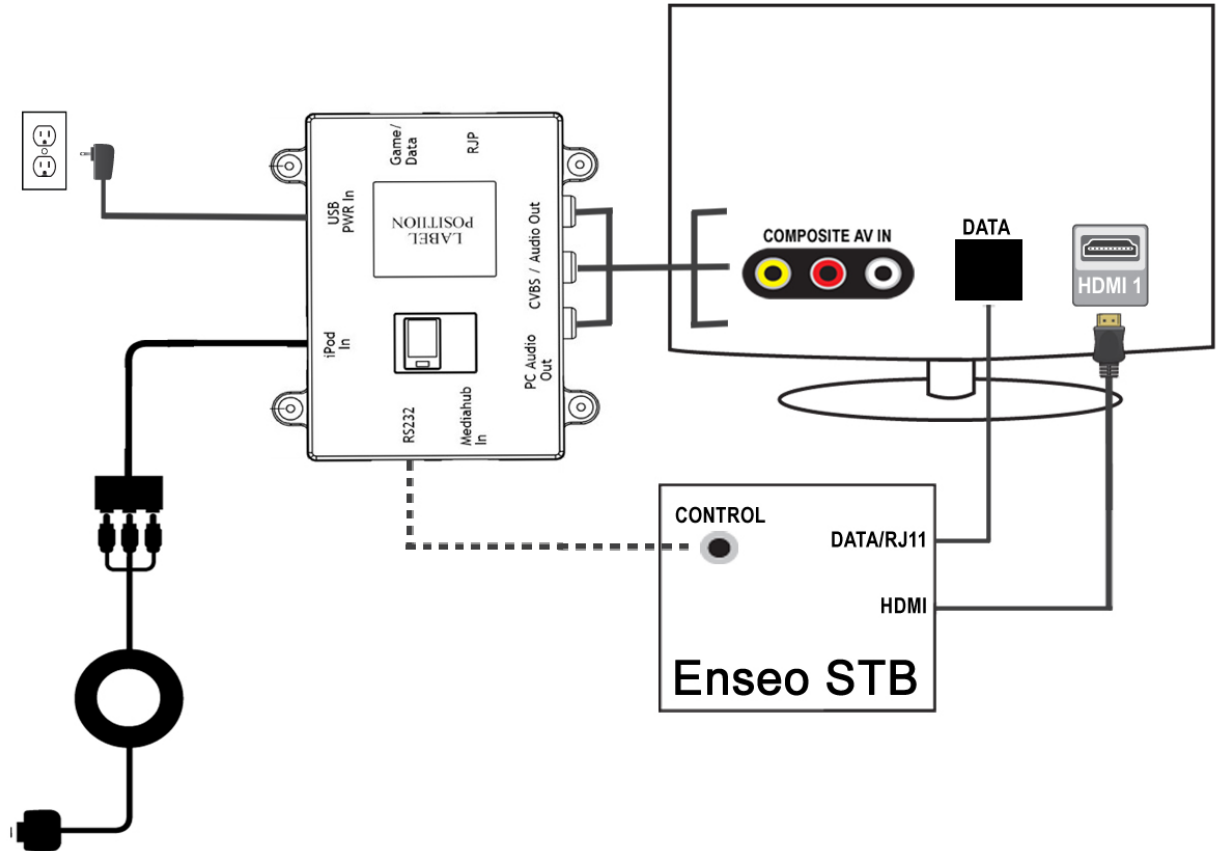
For Enseo HD2000, use the RS232 Male control cable included in the ASM installation kit.

If your hospitality TV has a built-in LodgeNet terminal (internal terminal card), plug the Game/Data cable into the TV's DATA port.

To use the charging feature of iDock, make sure to connect the USB Power Supply to a wall outlet.

Be sure the ASM DIP Switches are set to the appropriate positions:

TV/VOD	SW 1	SW 2	SW 3	SW 4
LODGENET	OFF	OFF	OFF	OFF
TELEADAPT	ON	OFF	OFF	OFF
SAMSUNG (OPTIONAL)	OFF	ON	OFF	OFF
LG/RJP	ON	ON	OFF	OFF
PHILIPS	OFF	OFF	ON	OFF
ENSEO	ON	OFF	ON	OFF
PANASONIC	OFF	ON	ON	OFF
SONY	ON	ON	ON	OFF
SHARP	OFF	OFF	OFF	ON
HISENSE	ON	OFF	OFF	ON



Panasonic North America Series 20/12 + Enseo HD2000/3000

Configure TV: Go into HOTEL MODE (<MENU>, <G>, <Y>, <0>), set MODE=ON, TA Control=EXTERNAL, BUTTON LOCK is OFF.

LG North America + Enseo HD2000/3000

Configure TV: Plug in DATA jack to TV's DATA port. TV will automatically power off and enter Enseo Mode after 3 minutes of inactivity.

Philips North America, Sharp North America + Enseo HD2000/3000

No TV configuration needed.

Any Samsung North America Model + Enseo HD2000/3000

Connect STB RJ11 to TV's DATA port using Samsung's BN3900865B RJ11 cable.

Configure TV: Turn power ON. With Samsung remote control, enter the menu by pressing <INFO>, <MENU>, <0>, <1>, <EXIT>. Ensure the following is selected:

Hotel Mode is ON (or Interactive)

Music Mode (AV) is ON

RJP Priority AV is 1

RJP AV Option is AV1

Set SI Vendor to ENSEO