

LG North America

For LG hospitality displays implementing legacy RJP protocol (recommended)

Follow cable connection diagram below.

ASM DIP Mode: Not Applicable, ASM supports RJP protocol in any DIP setting
 Configure TV Menu Settings: With LG remote control, enter the menu by pressing <MENU> at least five times, until TV no longer responds, then press <9>, <8>, <7>, <6>, <ENTER>. Ensure the following is selected:

Item 040 CAMPORT = 00

Item 093 RJP AVAIL = 1

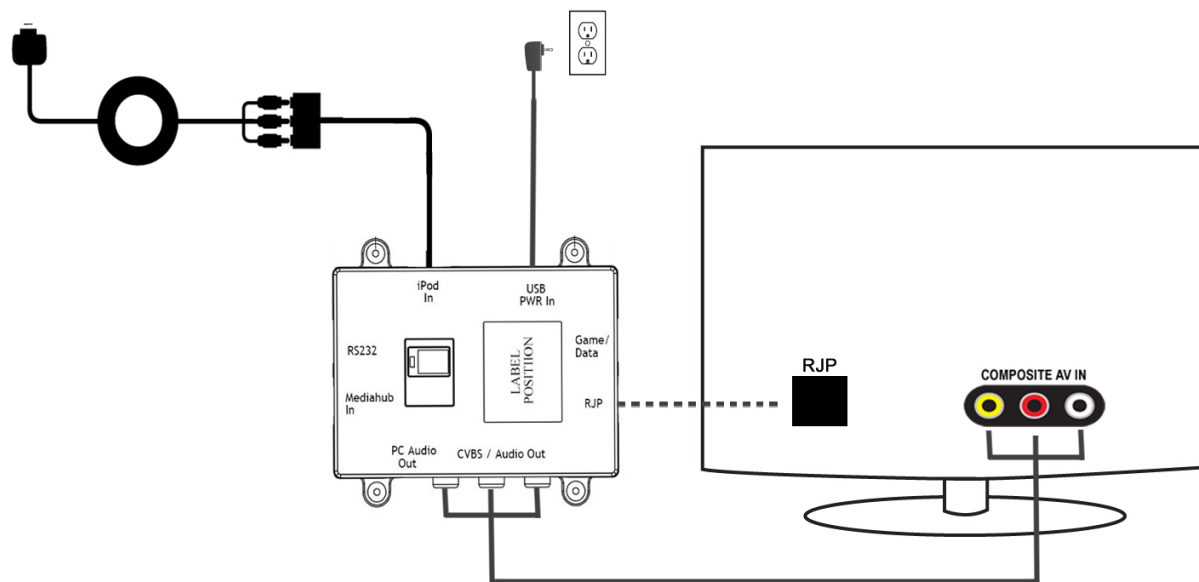
Special Notes:

Use the RJ45 male-to-male cable for the RJP connection.

To use the charging feature of iDock, make sure to connect the USB Power Supply to a wall outlet.

Be sure the ASM DIP Switches are set to the appropriate positions:

TV/VOD	SW 1	SW 2	SW 3	SW 4
LODGENET	OFF	OFF	OFF	OFF
TELEADAPT	ON	OFF	OFF	OFF
SAMSUNG (OPTIONAL)	OFF	ON	OFF	OFF
LG/RJP	ON	ON	OFF	OFF
PHILIPS	OFF	OFF	ON	OFF
ENSEO	ON	OFF	ON	OFF
PANASONIC	OFF	ON	ON	OFF
SONY	ON	ON	ON	OFF
SHARP	OFF	OFF	OFF	ON
HISENSE	ON	OFF	OFF	ON



Special Notes:

TeleAdapt recommends using the RJP connection for all LG TVs. However, some recent LG TV models (2011 and newer) may not support auto-switching to the Composite AV. Serial connection is recommended for these TV models.

The ASM Installation Kit contains three RS232 cable options. Use the appropriate RS232 connector for your LG TV (male DB9 or female DB9).

To use the charging feature of iDock, make sure to connect the USB Power Supply to a wall outlet.

Be sure the ASM DIP Switches are set to the appropriate positions:

TV/VOD	SW 1	SW 2	SW 3	SW 4
LODGENET	OFF	OFF	OFF	OFF
TELEADAPT	ON	OFF	OFF	OFF
SAMSUNG (OPTIONAL)	OFF	ON	OFF	OFF
LG/RJP	ON	ON	OFF	OFF
PHILIPS	OFF	OFF	ON	OFF
ENSEO	ON	OFF	ON	OFF
PANASONIC	OFF	ON	ON	OFF
SONY	ON	ON	ON	OFF
SHARP	OFF	OFF	OFF	ON
HISENSE	ON	OFF	OFF	ON

For LG hospitality displays using the LG Serial Control Port

Follow cable connection diagram below.

ASM DIP Mode: UP-UP-DWN-DWN

Configure TV Menu Settings: None required.

