

SPECIFICATIONS

MediaHub Column Mount I Cable Management Column with MediaHub bracket

- Presents the MediaHub below the TV
- Suitable for retrofit or new builds
- Can be used with any TV bracket as the unit sits independently under the TV
- Can be used with any MediaHub or MediaHub Extender in desktop housing



Column with glass shelf
Shown with MediaHub HD



Column with glass shelf
Shown with TV & MediaHub Extender



Column with glass shelf
Shown with TV & MediaHub HD



Column without glass shelf
Shown with MediaHub HD

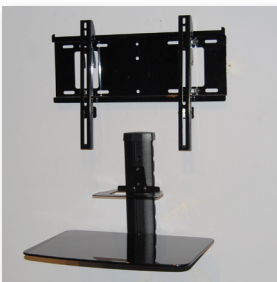


Column without glass shelf
Shown with TV & MediaHub Extender

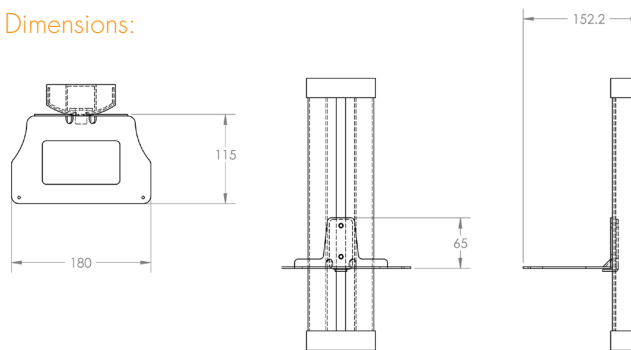


Column without glass shelf
Shown with TV & MediaHub HD

Independent from the TV bracket



Dimensions:



Kit Includes:

1. Cable Management Column
2. MediaHub bracket
3. All attachment hardware
4. Optional Glass shelf

Box dims: 160mm (W) x 165mm (H) x 230mm (D)
Box weight: 0,510kg

Part Numbers:

- TA-PMHCOLKITBG: Column, Black with glass shelf
TA-PMHCOLKITSG: Column, Silver with glass shelf
TA-PMHCOLKITB: Column, Black without glass shelf
TA-PMHCOLKITS: Column, Silver without glass shelf



web: www.teleadapt.com email: info@teleadapt.com